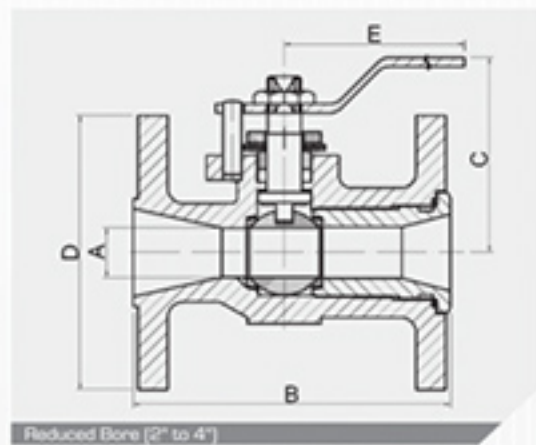
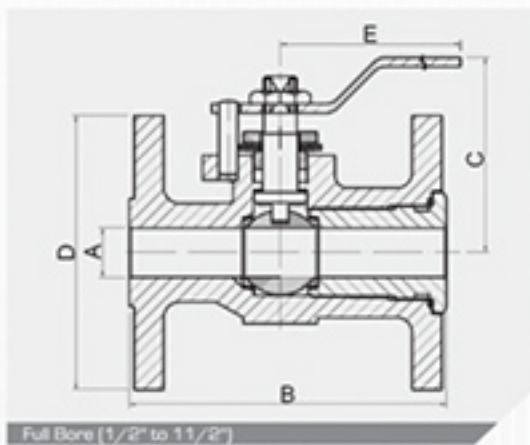


DIMENSIONS & WEIGHTS CLASS 300

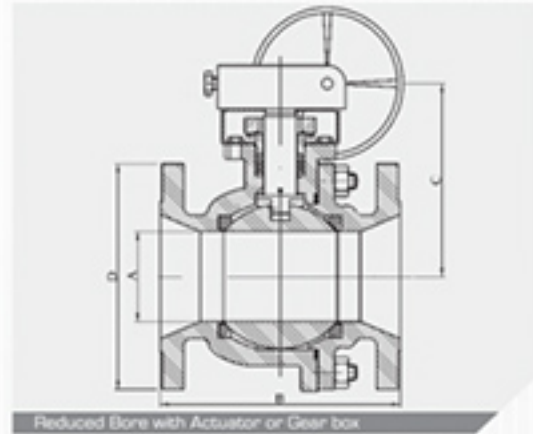
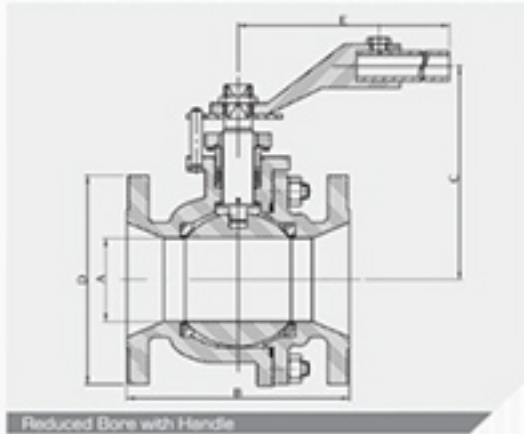
Cast material ASTM A216 WCB & ASTM A351 CF8M

Unibody - **MV** 370

SIZE	A : bore diameter		B : face to face		D : Flange diamet.		C Center to handle		E : Handle length		Weight	
	Inch.	mm.	Inch.	mm.	Inch.	mm.	Inch.	mm.	Inch.	mm.	lb.	Kg.
1/2"	1/2"	12.7	5 1/2"	140.0	3 3/4"	95.3	2 41/64"	67	5 1/2"	140	5.51	2.5
3/4"	3/4"	19	6"	152.0	4 5/8"	117.4	2 7/8"	73	7 9/16"	192	7.05	3.2
1"	1"	25.4	6 1/2"	165.0	4 7/8"	123.8	3 15/16"	100	7 3/4"	197	9.92	4.50
1 1/2"	1 1/2"	38	7 1/2"	190	6 1/8"	155.6	4 3/4"	120	10 3/4"	273	19.84	9.0
2"	1 1/2"	38	8 1/2"	216	6 1/2"	165.1	4 7/8"	125	10 7/8"	277	27.56	12.50
3"	2 1/4"	57.1	11 1/8"	283	8 1/4"	209.5	7 5/8"	194	22 1/4"	565	52.90	24.0
4"	3"	76.2	12"	305	10"	254	10 1/4"	260	24"	610	83.80	38.0

DIMENSIONS & WEIGHTS CLASS 300

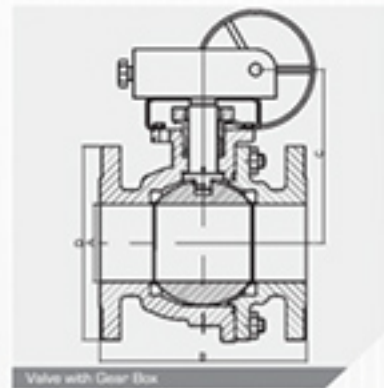
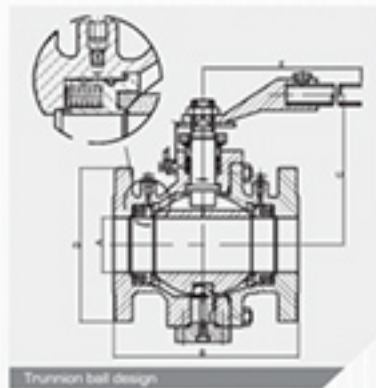
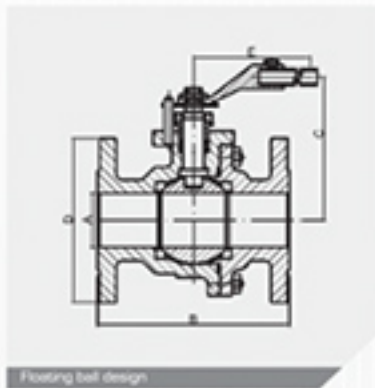
Cast material ASTM A216 WCB & ASTM A351 CF8M

Split body - **AV** 300
Reduced Bore

SIZE	A : bore diameter		B : face to face		D : Flange diamet.		C:Center to handle		E : Handle length		Weight	
	Inch.	mm.	Inch.	mm.	Inch.	mm.	Inch.	mm.	Inch.	mm.	lb.	Kg.
6"	4"	101.6	15 7/8"	403	12 1/2"	317.50	11 1/2"	292	36"	915	185.20	84
8"	6"	152.4	16 1/2"	419	15"	381.0	- Standard product with gear box - Dimensions varies according to type of gear box.				463.00	210
10"	8"	203.2	18"	457	17 1/2"	444.50					639.40	290
12"	10"	254	19 3/4"	501.7	20 1/2"	520.7					1036.2	470

DIMENSIONS & WEIGHTS CLASS 300

Cast material ASTM A216 WCB & ASTM A351 CF8M

Split body - **MV 310**
Full Bore

SIZE	Type		A : bore diameter		B : face to face		D : Flange diamet.		C Center to handle		E : Handle length		Weight	
	Rl	Tr.	Inch.	mm.	Inch.	mm.	Inch.	mm.	Inch.	mm.	Inch.	mm.	lb.	Kg.
2"	✓	-	2"	50	8 1/2"	216	6 1/2"	165.1	4 3/4"	121	12"	305	27.6	12.50
3"	✓	✓	3"	76.2	11 1/8"	283	8 1/4"	209.5	7 5/8"	194	22 1/4"	565	77.2	35.0
4"	✓	✓	4"	101.6	12"	305	10"	254	10 1/4"	260	24"	610	130.0	59.0
6"	✓	✓	6"	152.4	15 1/8"	403	12 1/2"	317.5	11 1/2"	292	36"	915	264.5	120.0
8"	✓	✓	8"	203.2	19 3/4"	502	15"	381					575.5	261.0
10"	✓	✓	10"	254.0	22 3/8"	568	17 1/2"	444.5					824.50	374.0
12"	✓	✓	12"	304.8	25 1/2"	648	20 1/2"	520.7					1168.5	530.0
14"	-	✓	14"	350.0	30"	762	23"	584					1408	640
16"	-	✓	16"	400.0	33"	838	25 1/2"	648					2266	1030

- Standard product with gear box
- Dimensions varies according to type of gear box.