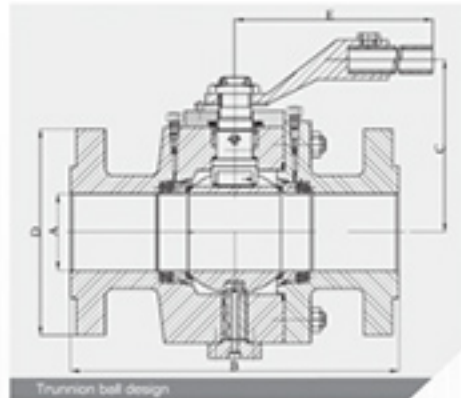
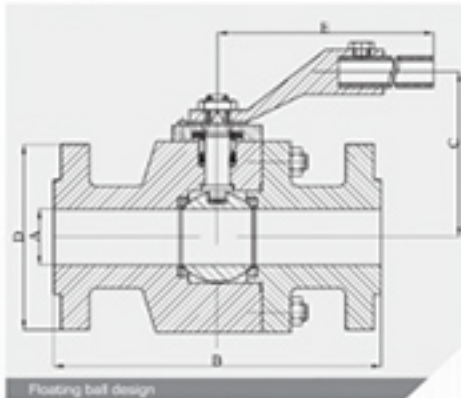
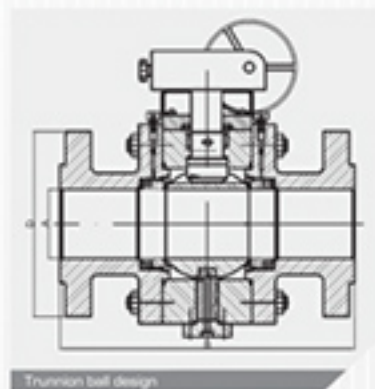
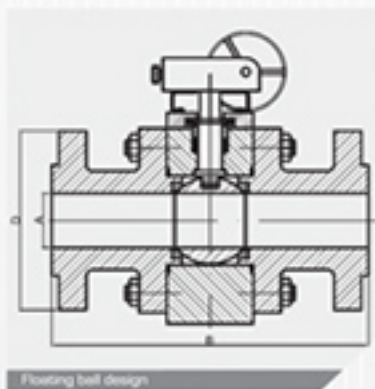


FORGED MATERIAL : ASTM A105 CLASS 900

Split body **MV** - 910
2 Pieces design

SIZE	Type		A: Bore diameter		B [mm]		D: Flange diameter		C: Center to handle		E: Handle length		Weight	
	floating	Trunnion	Inch.	mm.	Face to Face (Raised face)	End to End (Ring joint)	Inch.	mm.	Inch.	mm.	Inch.	mm.	lb.	Kg.
2"	✓	-	2"	50	368	371	8 1/2"	216	4 3/4"	121	12"	305	106	48
3"	✓	✓	3"	76.2	381	384	9 1/2"	241	7 5/8"	194	24 1/8"	618	165.4	75
4"	✓	✓	4"	101.6	457	460	11 1/2"	292	10 1/4"	260	26"	660	330.7	150

Split body **MV** - 910
3 Pieces design

SIZE	Type		A: Bore diameter		B [mm]		D: Flange diameter		C: Center to handle		E: Handle length		Weight	
	floating	Trunnion	Inch.	mm.	Face to Face (Raised face)	End to End (Ring joint)	Inch.	mm.	Inch.	mm.	Inch.	mm.	lb.	Kg.
6"	✓	✓	6"	152.4	610	613	15"	381	11 1/2"	292	38"	965	837.9	380
8"	-	✓	8"	203.2	737	740	18 1/2"	470					1378.1	625
10"	-	✓	10"	252	838	841	21 1/2"	546					2094.7	950
12"	-	✓	12"	304.8	965	968	24"	610					3408.8	1546
14"	-	✓	14"	322	1029	1038	25 1/4"	641					4718.5	2140
16"	-	✓	16"	373	1130	1140	27 3/4"	705					7287.2	3305

- Standard product with gear box
Dimensions varies according to type of gear box.